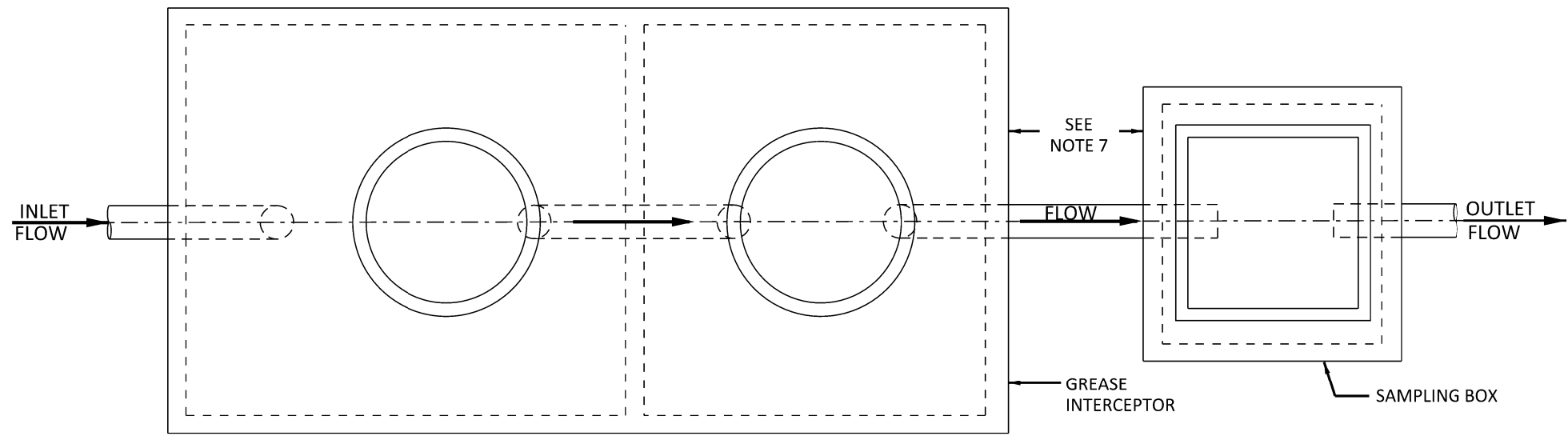
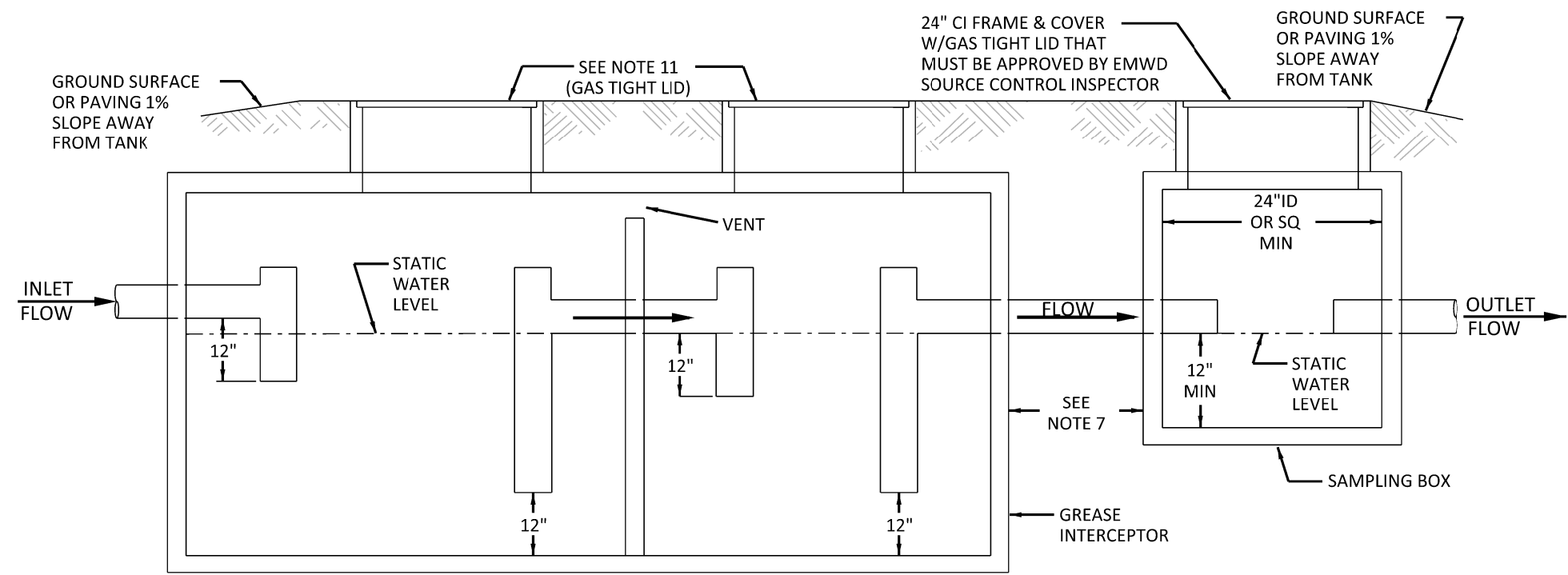


**Appendix Q.
Grease Interceptors Sizing,
Maintenance Plans & Hauler Information**



2 PLAN VIEW



2 PROFILE VIEW

NOTES

1. STRUCTURES SHALL BE INSTALLED TO ALLOW ACCESS FOR MAINTENANCE OR INSPECTION AT ALL TIMES.
2. WHERE SUBJECT TO VEHICLE LOADING, DESIGN ADEQUACY SHALL BE SUBSTANTIATED AND STRUCTURE SHALL BE PLACED ON SUITABLE BASE OF COMPACTED SOIL OR UNDISTURBED EARTH.
3. ALL SURFACE WATER MUST DRAIN AWAY FROM THE SAMPLING BOX AND INTERCEPTOR TO EXCLUDE RAIN WATER FROM THE SEWER SYSTEM.
4. FLOW TO THE SAMPLING BOX AND/OR INTERCEPTOR SHALL EXCLUDE ALL SANITARY SEWAGE AND SURFACE DRAINAGE.
5. EACH INSTALLATION IS SUBJECT TO REVIEW BY EMWD FOR ADEQUATE CAPACITY PRIOR TO CONSTRUCTION.
6. INSPECTION COVERS SHALL BE BROUGHT TO GRADE TO PERMIT VISUAL INSPECTION OF INTERNAL FITTINGS, WITH RISERS AS REQUIRED.
- 3 7. SAMPLING BOX SHALL BE A MINIMUM OF 24" ID OR 24" SQUARE AND MUST RETAIN A STATIC WATER LEVEL OF 12". SAMPLING BOX MAY BE ATTACHED OR AT A VARIABLE DISTANCE FROM THE INTERCEPTOR AND MUST BE APPROVED BY EMWD SOURCE CONTROL INSPECTOR.
- 3 8. EACH CHAMBER SHALL HAVE A GAS TIGHT, TRAFFIC RATED, PICKABLE METAL INSPECTION COVER WITH A MINIMUM DEMENSION OF 24" ID OR 24" SQUARE AND MUST BE APPROVED BY EMWD SOURCE CONTROL INSPECTOR.
9. MINIMUM CAPACITY OF INTERCEPTOR IS 750 GALLONS.
- 3 10. TWO (2) CHAMBER INTERCEPTOR IS ACCEPTABLE.
- 3 11. INTERCEPTORS REQUIRING MORE THAN 8 FEET OF GRADE RINGS MUST HAVE APPROVAL OF EMWD BEFORE INSTALLATION.

REVISIONS					APPROVALS			
NO.	DATE	INITIAL	DESCRIPTION	APP'D	DATE	DESIGN	INITIAL	DATE
3	3/27/18	GS	REVISED NOTES 7, 8, & 10, REMOVED NOTE 11, UPDATED LOGO	AGA	3/27/18	DESIGN	VJB	12/28/90
2	2/13/15	GS	REVISED PLAN & PROFILE, NOTE 11 AND UPDATED CALLOUTS	AGA	2/13/15	CONSTRUCTION		
1	2/19/99	GR	REDRAWN W/CADD & COMBINED W/SB-156	VJB	5/6/99	INSPECTION		
						OPERATIONS	JAG	1/10/91
						SUBMITTED		

REFERENCES: SUPERCEDES SB-156	SCALE: NONE
FILE I.D.: \kauai\eng\std dwgs\SB-70.dgn	DRAWN BY: GS



**EASTERN MUNICIPAL WATER DISTRICT
STANDARD DRAWING**

**GREASE INTERCEPTOR
WITH 24" SAMPLE BOX**

RECOMMENDED _____
DIRECTOR OF ENGINEERING _____ DATE _____

APPROVED Joseph D. Sickie 1/16/91
ASSISTANT GENERAL MANAGER DATE

SB-70





**SOURCE CONTROL DIVISION
PRETREATMENT EQUIPMENT MAINTENANCE & HAZARDOUS WASTE PLAN
GREASE INTERCEPTOR - SAND/OIL CLARIFIER**

Section A: Required for Grease Interceptor or Sand/Oil Clarifier

Business Name: _____

Site Address: _____

Person Completing Outline: _____

Location of interceptor or clarifier: _____

Sketch of building and interceptor or clarifier location:

Company providing pumping service or servicing hazardous waste: _____

Frequency of pumping or hazardous waste pick up - circle one:

Monthly Bi-Monthly Quarterly Semi-Annually Annually

***All pumping and/or hauling records must be kept on site to be viewed at the discretion of EMWD inspectors.**

Section B: Required for Grease Interceptor ONLY

List Company that supplies any grease rendering receptacle (bin or drum): _____

Section B: Required for Sand/Oil Clarifier ONLY

List all employee training programs concerning hazardous chemicals/wastes:

Describe storage procedures for all hazardous materials/wastes (separation of non-compatible chemicals, etc.):

Describe secondary containment and spill prevention practices (include how materials/wastes generated in an accidental spill will be disposed of):

1. Grease interceptors must be serviced immediately when any of the following conditions occur:
 - a. Floating grease and oil in final chamber reaches 12" depth
 - b. Sediment in the final chamber reaches 10" in depth
 - c. Any condition exists in the interceptor that causes interference to the collection system or Regional Wastewater Reclamation Facility

***The use of additives to emulsify grease is not allowed, as it may cause the interceptor to violate EMWD's grease discharge limits.**

2. If Sanitary Sewer Overflow occurs, in accordance with California Health and Safety Code, Section 5411.5 and California Water Code, Section 13271, you must report the SSO to:
 - a. State Office of Emergency Services 800-852-7550 or 916-845-8911
 - b. Santa Ana Regional Water Quality Control Board 951-782-4130
 - c. San Diego Regional Water Quality Control Board 619-516-1990
(Temecula area only)
 - d. Riverside Department of Environmental Health 888-722-4234 or 951-782-2968
3. In the case of an emergency caused by a slug discharge, or a blockage or overflow, certain actions must take place immediately:
 - a. Immediately stop all flow to the sewer
 - b. Remedy condition by notifying plumber, pumper, and/or equipment Maintenance Company to clear blockage and clean up the spill
 - c. Notify EMWD at (951) 928-3777 ext. 6265, and notify EMWD staff of date, time, duration, and quantity of spill
 - d. Within five (5) working days, provide written notification to EMWD listing events causing the slug discharge, and what clean up procedures were utilized

For EMWD use only:

Inspector _____

Date _____ Interceptor or clarifier size, if known _____



Grease Interceptor Pumping & Restaurant Fry Oil Recycling Companies

This list is furnished as a service to our customers. Eastern Municipal Water District does not endorse any of the listed companies, nor does this list contain all companies that perform these services. Please look online for more pumping service companies.

Baker Commodities

4020 Bandini Blvd
Vernon, California – 90058
Toll Free: (800) 427.0696
Phone: (323) 268-2801
Fax (323) 268-0598

Dar Pro

2626 E. 25th St
Los Angeles, CA, 90058
Toll Free: (800) 4GR-EASE
Phone: (323) 583-6311
Fax: (323) 583-8613

Imperial Western

Biotane Pumping Division

86-600 Ave. 54
Coachella, CA 92236
Phone: (760) 398-0815
Fax (760) 398-3476
24 hr (877) 424-6826

J.C.'S Grease Buyers

P.O. Box 3399
Riverside, CA 92519
Phone: (951) 736-1198
(951) 781-4557

JN Grease Service

25685 Sherman Rd.
Menifee, CA 92585
Phone: (951) 343-1221
Fax: (951) 352-1503
24 Hr. (909) 772-5243

SMC Grease

P.O. Box 1343
Corona, CA 92878
Phone: (951) 788-6042
Fax (951) 788-6044

Rotoco Inc.

7960 North State Street
Hemet, Ca. 92543
Phone (951) 658-8541

Wright Septic

511 N. Dillon
San Jacinto, CA 92583
Phone: (951) 654-4840
Fax: (951) 654-3575