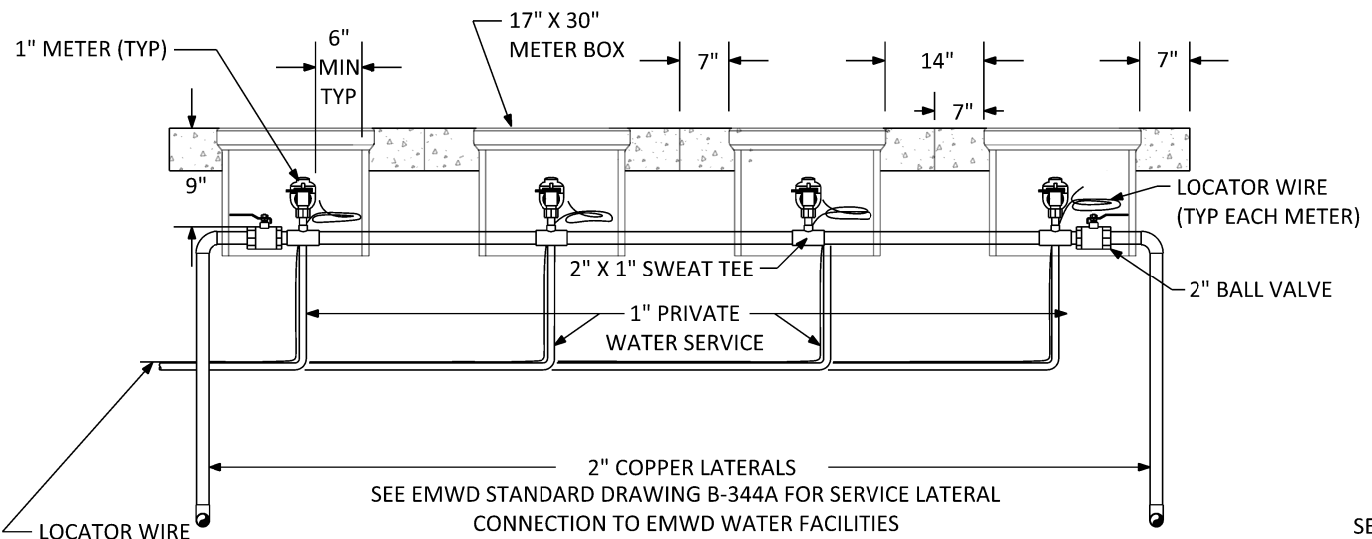


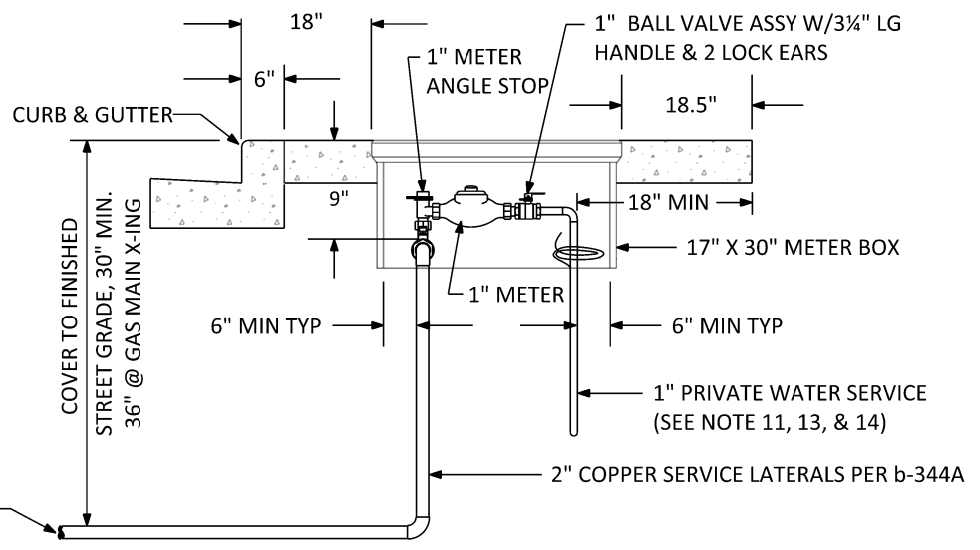
**PLAN VIEW**  
NOT TO SCALE



**PROFILE VIEW**  
NOT TO SCALE

**NOTES:**

1. ALL FITTINGS INCLUDING, BUT NOT LIMITED TO, THE CORPORATION STOP AND ANGLE STOP VALVE SHALL:
  - A. BE MADE OF BRASS OR BRONZE ;
  - B. BE OF THE BANDED PATTERN ;
  - C. BE DESIGNED FOR A MIN OF 175 psi (COLD WATER) WORKING PRESSURE.
2. PRESSURE TEST PER EMWD SPECIFICATIONS.
3. ALL BARE IRON STEEL SHALL BE COATED WITH CEMENT MORTAR PER EMWD SPECIFICATIONS.
4. ALL LISTED MATERIALS TO BE PER EMWD APPROVED MATERIAL LIST.
5. ALL SERVICE PIPE AND TUBING SHALL BE LAID ON A POSITIVE SLOPE UP FROM THE WATER MAIN TO THE METER. NO DIPS OR POCKETS IN THE LINE WILL BE PERMITTED. 36" COVER SHALL BE AT GAS MAIN CROSSINGS.
6. THREAD NOTATION SHOWN THUS :
  - IP = IRON PIPE THREAD ;
  - CS = CORPORATION STOP (MUELLER) THREAD ;
  - PJ = PACK JOINT
7. CONTRACTOR SHALL RETURN AFTER ROAD SHOULDER OR PARKWAY IS COMPLETE TO INSTALL METER BOX, AND SHALL BE RESPONSIBLE FOR COORDINATING WORK OF OTHER CONTRACTORS FOR SAFEGUARDING SERVICES UNTIL METER BOXES ARE SET.
8. JUMPER ASSEMBLY USED FOR THE CONSTRUCTION OF THE METER SERVICE SHALL BE MADE OF SCHEDULE 80 PVC, HAVE ALL PVC FITTINGS SOLVENT WELDED AND MEET METER MANUFACTURES SPECIFICATIONS FOR METER INSTALLATION. JUMPER TO BE PAINTED BLUE (POTABLE JUMPERS ARE NOT TO BE USED FOR RECYCLED WATER)
9. METER BOX SHALL BE EMWD APPROVED 17" x 30" NICORE RMB173012NSW-G COMPLETE WITH LID B36NLGRYWATfI TO CLUDING U-BRACKET- SCREW IN.
10. METER BOXES ARE TO BE INSTALLED IN A MANNER THAT DOES NOT CREATE A TRIPPING HAZARD.
11. 1" POST METER SERVICE LATERALS TO MAINTAIN 18" MINIMUM OFFSET FROM THE EDGE OF CONCRETE (LATERALS REMAIN UNDER CONCRETE).
12. THE MAXIMUM NUMBER OF METERS IS NOT TO EXCEED FIVE (5).
13. LOCATOR WIRE TO BE INSTALLED WITH EACH METER AND PRIVATE WATER SERVICE LATERAL. MINIMUM 6 FOOT COIL OF WIRE TO BE LEFT AT EACH END OF THE PRIVATE WATER SERVICE LATERAL RUN. SEE B-1077A, PAGE 2 OF 2 FOR LOCATOR WIRE NOTES.
14. PRIVATE LATERAL PIPELINES TO BE INSTALLED WITH 4" CLEARANCE BETWEEN EACH PRIVATE LATERAL.



**END VIEW**  
NOT TO SCALE

REVISIONS				APPROVALS		
NO.	DATE	INITIAL	DESCRIPTION	APP'D	DATE	DATE
1	11-17-23	GS	CENTERED METER BOXES WITHIN SIDEWALK PANELS	AGA	11/17/23	10/27/23

APPROVALS		
DESIGN	INITIAL	DATE
DESIGN	AGA	10/27/23
CONSTRUCTION	DB	11/13/23
INSPECTION	BAM	11/2/23
OPERATIONS	JD	11/13/23
SUBMITTED	AGA	10/27/23



EASTERN MUNICIPAL WATER DISTRICT  
**STANDARD DRAWING**

**METER BANK INSTALLATION**

REFERENCES: FILE I.D.: J:\Master CAD Files - Restricted\B-1077  
SCALE: NONE  
DRAWN BY: GS

RECOMMENDED: *Shaun Stone* 11/13/23  
DIRECTOR OF ENGINEERING DATE

APPROVED: *Lanaya Alexander* 11/13/23  
ASSISTANT GENERAL MANAGER DATE

1 OF 2  
**B-1077**