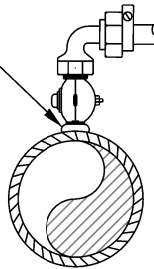


NOTE: BURN HOLE THRU BLIND FLANGE (TOP OF HOLE TO MEET SOFFIT OF PIPE)

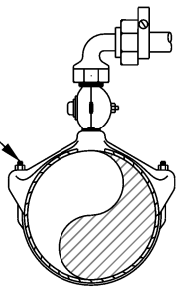
TYPE "D"
TEMPORARY END OF LINE

HEAVY TAPPED COUPLING
1-1/2" I.P. OR 1-1/4" I.P.
SINGLE OUTLET W/INCREASER
ACCEPTABLE WHERE 2" I.P.
OUTLET NOT AVAILABLE

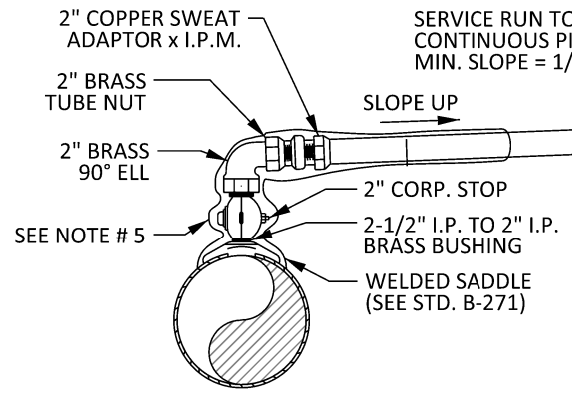


TYPE "C"
A.C. PIPE

SERVICE CLAMP (2" C.S.)
SINGLE STRAP FOR 4"
THRU 8" PIPE, DOUBLE
STRAP FOR 12" AND ABOVE

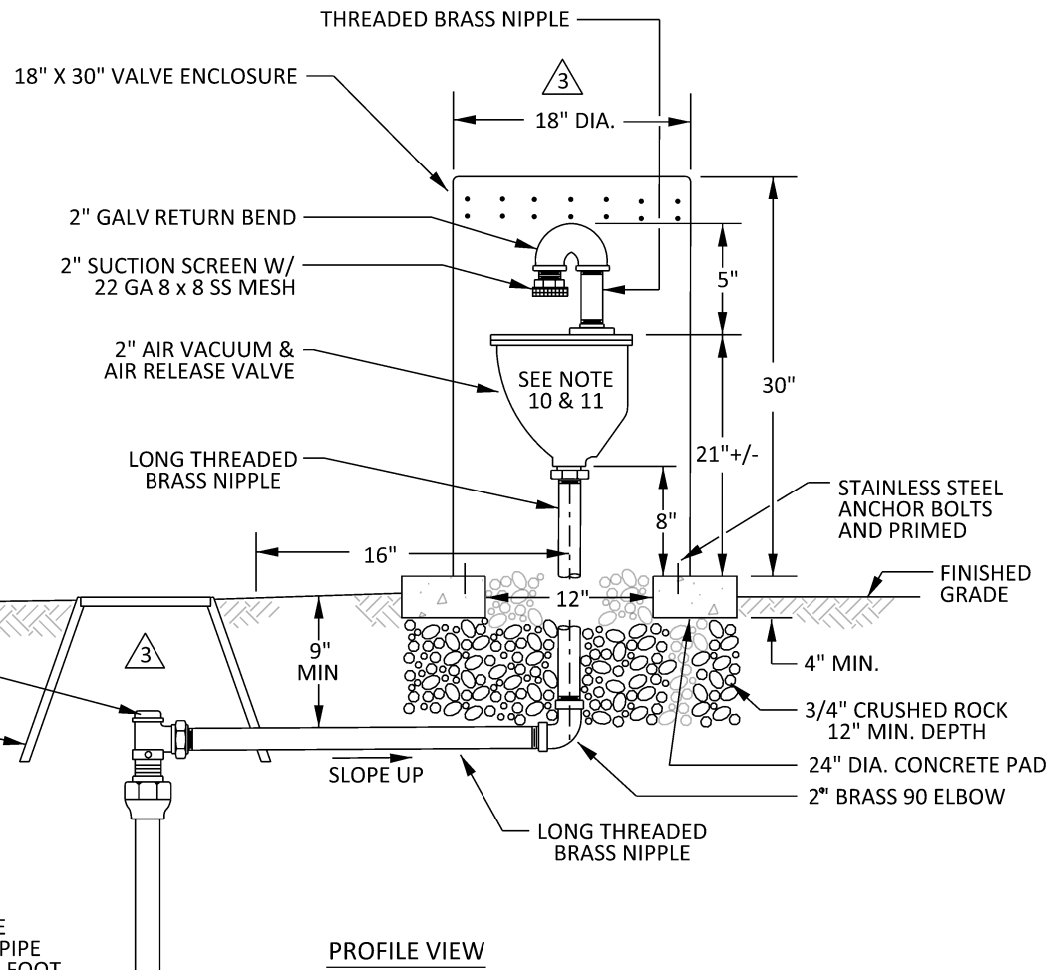


TYPE "B"
AC, DI,
PVC PIPE

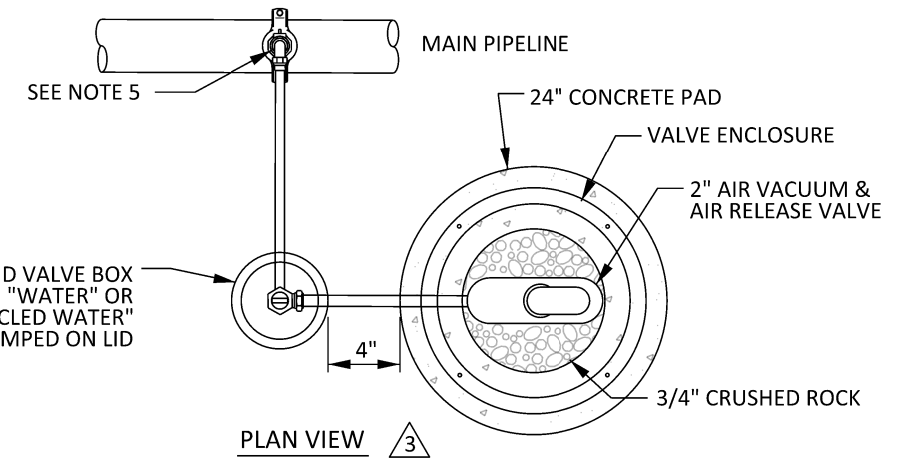


TYPE "A"
STEEL PIPE

SERVICE RUN TO BE ONE
CONTINUOUS PIECE OF PIPE
MIN. SLOPE = 1/16" PER FOOT



PROFILE VIEW



PLAN VIEW

NOTES:

- ALL FITTINGS BETWEEN THE CORP. STOP AND AIR VALVE SHALL BE:
 - MADE OF BRASS OR BRONZE;
 - MADE OF THE BANDED PATTERN;
 - DESIGNED FOR A MIN. OF 175 PSI (COLD) WATER WORKING PRESSURE
- PRESSURE TEST PER EMWD SPECIFICATIONS.
- ALL MATERIALS SHALL BE PER EMWD APPROVED MATERIAL LIST.
- ALTERNATE MATERIALS MAY BE USED UPON APPROVAL BY EMWD.
- CORPORATION STOP AND FITTINGS AT THE PIPELINE SHALL BE PRIMED AND WRAPPED WITH APPROVED COAL TAR RESIN TAPE.
- ALL SERVICE PIPE AND TUBING SHALL BE LAID ON A CONSTANT SLOPE UP FROM THE WATER MAIN TO THE AV & AR. NO DIPS OR POCKETS WILL BE PERMITTED.
- THREAD NOTATION SHOWN THUS:
 - IP = IRON PIPE THREAD;
 - CS = CORPORATION STOP (MUELLER) THREAD;
 - PJ = PACK JOINT.
- WATER VALVE ENCLOSURE TO BE APPROVED COLOR TAN. DOMESTIC VALVE ENCLOSURE SHALL HAVE A SINGLE BLUE COLOR STRIPE NEAR THE TOP; POTABLE STENCIL "EMWD WATER." RECYCLED VALVE ENCLOSURE SHALL HAVE A SINGLE PURPLE COLOR STRIPE NEAR THE TOP; RECYCLED STENCIL "EMWD RECYCLED WATER".
- PLACEMENT OF CONCRETE PAD:
 - PLACE FRONT OF CONCRETE PAD 6" MAX BEHIND EXISTING OR PROPOSED 6' OR 8' SIDEWALKS.
 - WHEN PROPOSED OR EXISTING SIDEWALK IS 12' WIDE, PLACE FRONT EDGE OF BOX 6" MAXIMUM BEHIND CURB.
 - WHEN NO SIDEWALK IS PROPOSED, PLACE FRONT EDGE OF CONCRETE PAD 6.5' BEHIND CURB FACE.
 - WHEN NO CURBS ARE EXISTING OR PROPOSED, PLACE BACK EDGE OF CONCRETE PAD ON PROPERTY LINE.
- ALL RSGV AND AV & AR RUBBER COMPONENTS SHALL BE EPDM.
- RECYCLED WATER AV & AR BODIES SHALL BE PAINTED PANTONE 522C.

REVISIONS

NO.	DATE	INITIAL	DESCRIPTION	APP'D	DATE
4	5/29/19	GS	UPDATED TITLE BLOCK, FONT, LOGO AND NOTE 8	AGA	5/29/19
3	7/11/13	GS	REMOVED BELOW GRADE INSTALLATION, ADDED ENCLOSURE, PLAN VIEW FOR ABOVE GRADE INSTALLATION, AND NOTE 3 & B	AGA	7/11/13
2	8/29/03	CM	REVISED DIA. & GA. OF RISER	VJB	10/15/03
1	4/10/97	KER	REDRAWN W/ CADD ON MYLAR & ADD RISER DET.	VJB	4/28/97

APPROVALS

	INITIAL	DATE
DESIGN	LMM	1/28/70
CONSTRUCTION		
INSPECTION		
OPERATIONS		
SUBMITTED		



EASTERN MUNICIPAL WATER DISTRICT
STANDARD DRAWING

2" AIR VALVE INSTALLATION

REFERENCES: INCORPORATES B-386

SCALE: NONE

FILE I.D.: \kauai\eng\std dwgs\B-367.dgn

DRAWN BY: GS

RECOMMENDED

D. C. Stewart
DIRECTOR OF ENGINEERING

1/70
DATE

APPROVED Doyle J. Boen
CHIEF ENGINEER

1/70
DATE

B-367

