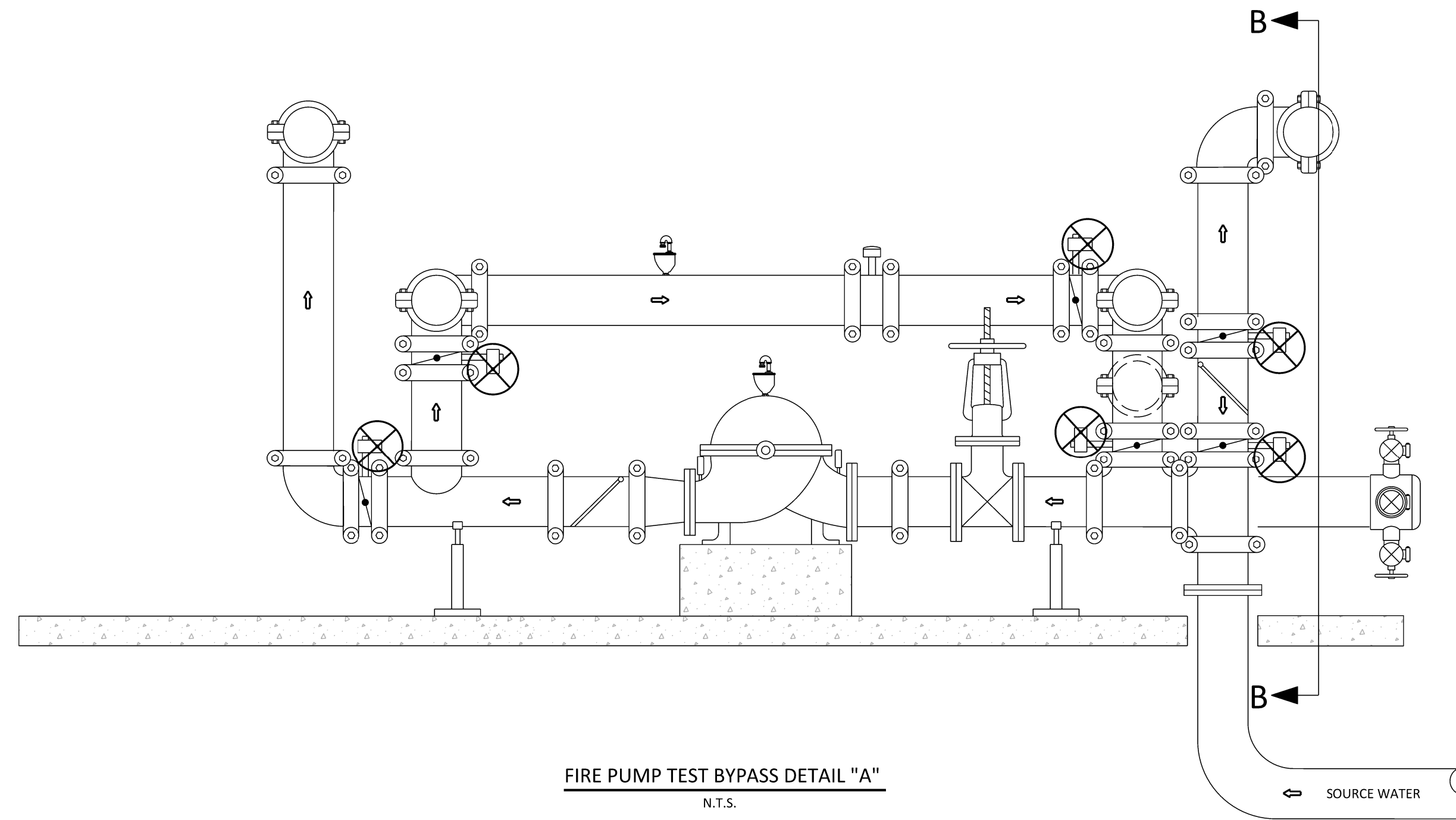
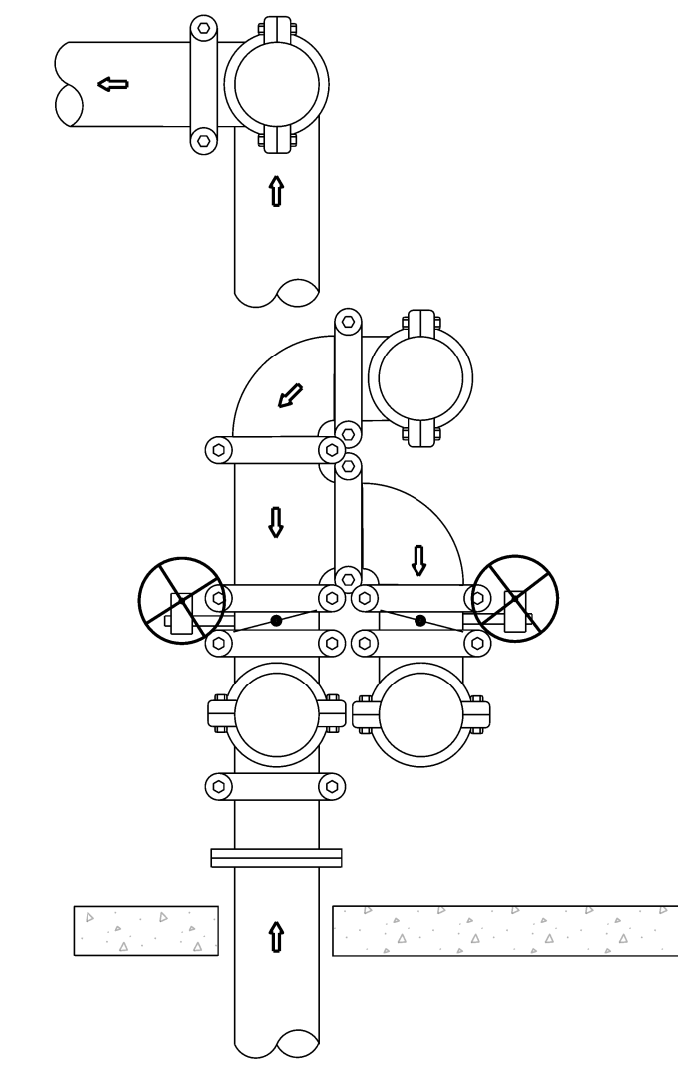


FIRE PUMP PLAN
N.T.S.



FIRE PUMP TEST BYPASS DETAIL "A"
N.T.S.



DETAIL "B"
N.T.S.

NOTE
THIS DRAWING IS MEANT TO BE A GRAPHICAL REPRESENTATION OF A FIRE PUMP SYSTEM WITH A TESTING LOOP FROM THE DISCHARGE SIDE OF THE PUMP TO THE INLET FOR TESTING PURPOSES. ISOLATION VALVES SHOULD BE ADDED TO THE SYSTEM TO ALLOW THE TESTING LOOP TO RECYCLE WATER CONTINUOUSLY. THIS DRAWING DOES NOT REPRESENT AN APPROVED PUMP DESIGN. IT IS AN EXAMPLE ONLY. IT IS THE RESPONSIBILITY OF THE FIRE SYSTEM ENGINEER TO DESIGN AND SUBMIT TO EMWD AND FIRE MARSHALL FOR REVIEW AND APPROVAL.

FILE NAME, PATH, & DATE
REGMD PLAN CHECK OVERSIGHT ENGINEER
REGISTRATION NUMBER
DATE SIGNED
APPROVED AS TO CONFORMANCE WITH APPLICABLE COUNTY STANDARDS AND PRACTICES.

DIG ALERT



Call: TOLL FREE
1-800-227-2600 OR 811

TWO FULL WORKING DAYS BEFORE YOU DIG

REVISIONS					
MARK	DATE	INITIAL	DESCRIPTION	APPR.	DATE

COMPANY ADDRESS AND LOGO

UNDER THE SUPERVISION OF:
PROFESSIONAL ENGINEER R.C.E. No. DATE

ENGINEER
STAMP

WATER / SEWER / RECYCLED WATER APPROVED BY:
EASTERN MUNICIPAL WATER DISTRICT

PRINCIPAL CIVIL ENGINEER OF DEVELOPMENT SERVICES		DATE
PROJECT ENG.	INITIAL	DATE

COUNTY/CITY OF X

TR/PM/APN NO. XXXX
WATER, SEWER AND RECYCLED WATER
IMPROVEMENT PLANS

I.D.	
S.A.	
W.O.	
C.O.	
COORD.	
SHEET: OF	
D-	