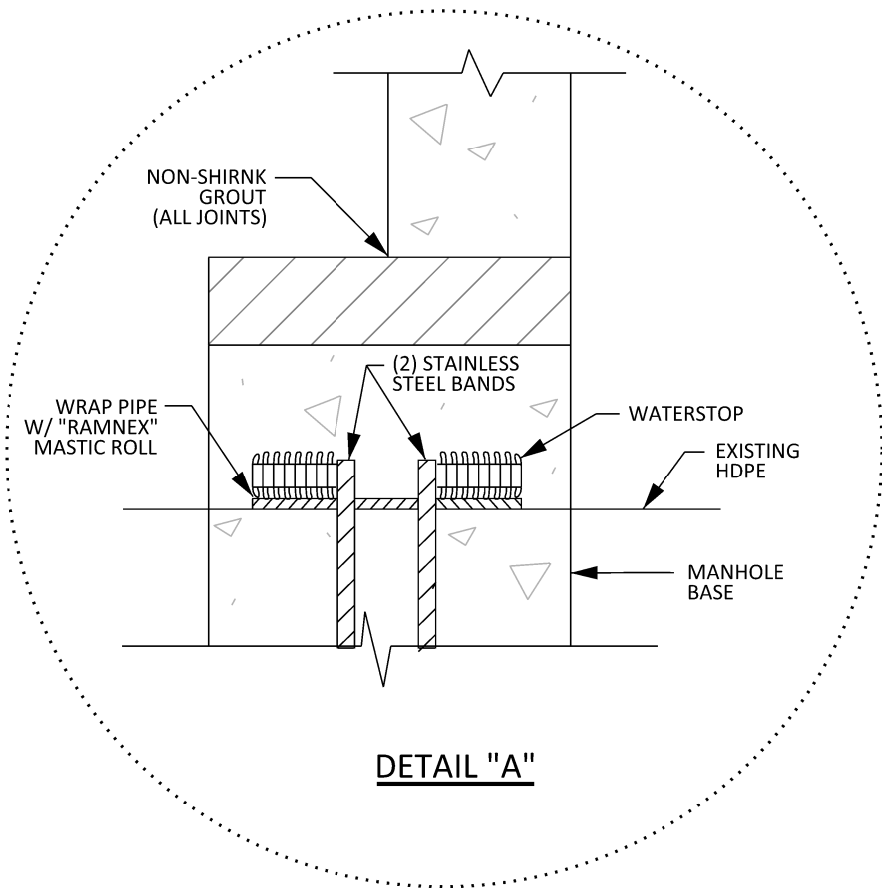


2 WELL GRADED CRUSHED ROCK (PER ASTM C33, SIZE NO. 67), WRAPPED IN MIRAFI 180N GEOTEXTILE FABRIC (OR APPROVED EQUAL) WITH 12-INCH MINIMUM OVERLAP. GEOTEXTILE FABRIC SHOULD COVER ALL SIDES OF FOUNDATION TO TOTALLY ENCASE THE GRAVEL LAYER. THERE SHALL NOT BE ANY LOCATION WHERE THE NATIVE SOILS ARE IN CONTACT WITH WELL GRADED CRUSHED ROCK.

1 FOR NEW HDPE PIPE INSTALLATION SMOOTH WALL TRANSITION IS REQUIRED AT BOTH SIDES OF MANHOLE



**NOTES:**

1. PVC WATERSTOP GREENSTREAK STYLE SERRATED #783 OR #679 OR APPROVED EQUAL. BUTT JOINT OF PVC WATERSTOP TO BE PVC GLUED.
2. ALL CEMENT MORTAR FOR PRE-CAST JOINTS TO BE SIKA GROUT 212 NON-SHRINK OR APPROVED EQUAL.

REVISIONS					APPROVALS		
NO.	DATE	INITIAL	DESCRIPTION	APP'D	DATE	INITIAL	DATE
						DESIGN	GB 2/29/00
						CONSTRUCTION	
3	5/6/19	GS	UPDATED TITLE BLOCK, FONT, AND LOGO	AGA	5/6/19	INSPECTION	JEW 3/1/00
2	8/12/08	RE	REVISED CRUSED ROCK DEPTH AND ADDED GEOTEXTILE FABRIC	VJB	8/14/08	OPERATIONS	
1	9/10/03	CM	ADD REQUIREMENT FOR NEW PIPE	VJB	10/15/03	SUBMITTED	
REFERENCES:				SCALE: NONE		RECOMMENDED	
FILE I.D.: \kauai\eng\std dwgs\SB-179.dgn				DRAWN BY: KER/GR		DIRECTOR OF ENGINEERING _____ DATE _____	



**EASTERN MUNICIPAL WATER DISTRICT  
STANDARD DRAWING**

**48" AND 60" DIAMETER MANHOLE  
INSTALLATION FOR HDPE SEWER MAIN**

APPROVED Charlie J. Bachmann ASSISTANT GENERAL MANAGER DATE \_\_\_\_\_

**SB-179**