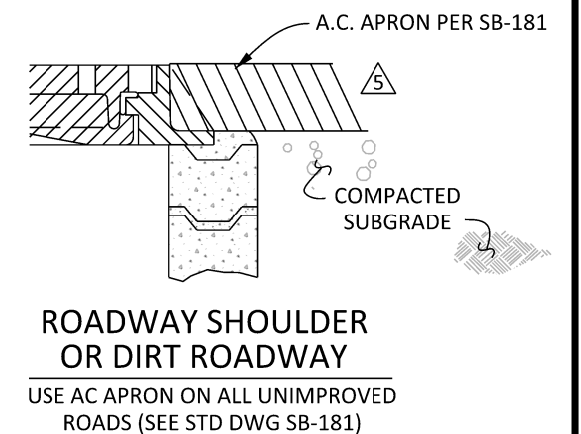
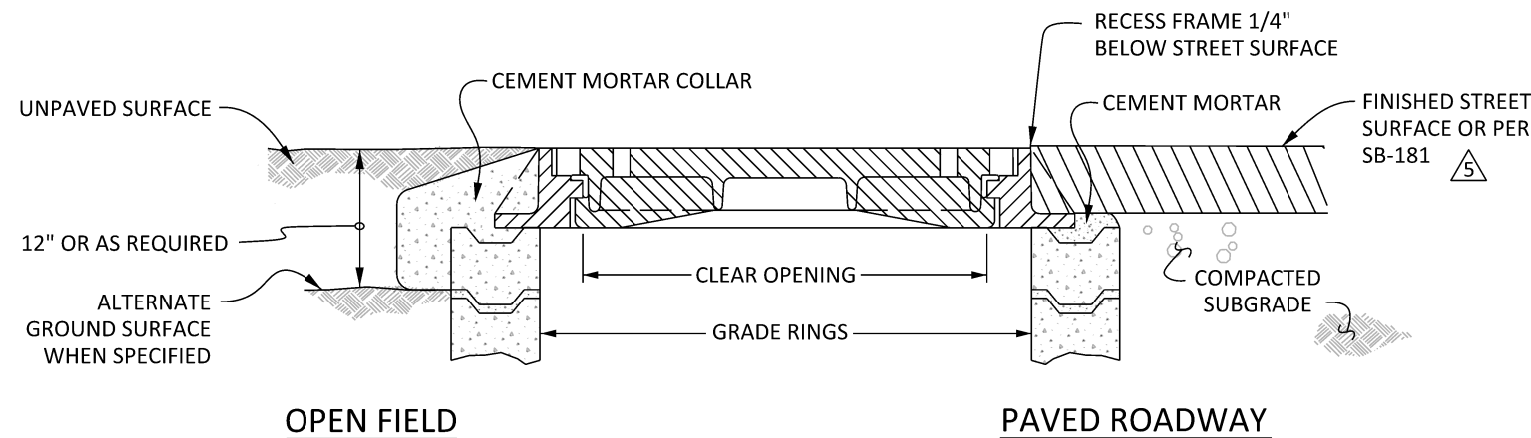
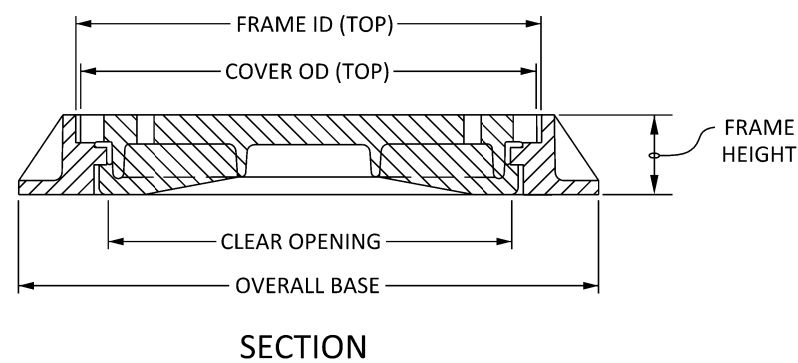


MANHOLE COVER & FRAME REQUIRED DIMENSIONS					
CLEAR OPENING	COVER O.D.	FRAME I.D.	FRAME HEIGHT	OVERALL BASE	TOTAL WEIGHT
22 3/4"	24"	24 1/4"	4 1/8"	30 1/4"	365 LBS.

NOTES

1. MANHOLE COVER SHALL BE DESIGNED FOR AASHO H-20 LOADING.
2. CAST IRON SHALL HAVE A MINIMUM TENSILE STRENGTH OF 3000 LBS PER SQUARE INCH.
3. MANHOLE COVER SHALL BE ALHAMBRA FOUNDRY CO TYPE A-1175 FOR 22 3/4" DIA. OR APPROVED EQUAL.
4. MARKER POSTS SHALL BE INSTALLED TO MARK MANHOLE LOCATIONS IN UNIMPROVED AREAS.
5. CONTRACTOR TO USE MANHOLES WITH 36" CLEAR OPENING UNLESS OTHERWISE DIRECTED BY ENGINEER.



REVISIONS				APPROVALS		
NO.	DATE	INITIAL	DESCRIPTION	APP'D	DATE	
5	11/23/22	GS	REDRAWN IN CADD, UPDATED LOGO, BOARDER AND SB-181 REF	AGA	11/23/22	DESIGN
4	6/10/93	CFW	ADDED NOTE #5			CONSTRUCTION
3	3/21/85	GH	REMOVED CONCRETE COLLAR AND OTHER REVISIONS	PER for DWJ		INSPECTION
2	12/19/79	LAM	ADDED ALT. NO. 2 COLLAR AND 1/4" RECESS	LM		OPERATIONS
						SUBMITTED



EASTERN MUNICIPAL WATER DISTRICT
STANDARD DRAWING

**LOCKING TYPE MANHOLE
COVER AND FRAME**

REFERENCES:	SCALE: NONE
FILE I.D.:	DRAWN BY: SJ

RECOMMENDED	DIRECTOR OF ENGINEERING	DATE
-------------	-------------------------	------

APPROVED	Doyle J. Boen	DATE
	GENERAL MANAGER	

SB-8

