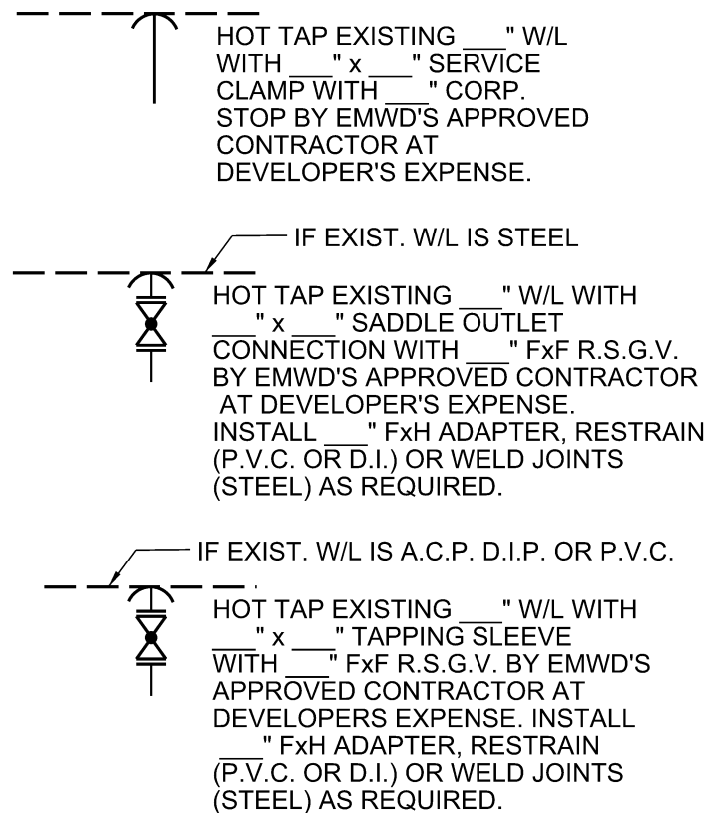


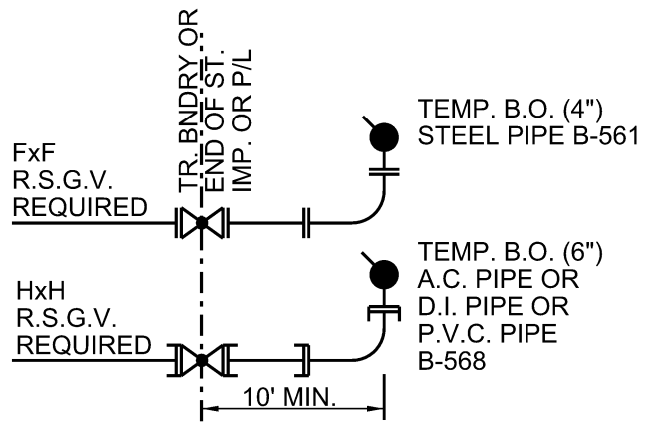
WATER LEGEND (USE APPROPRIATE SYMBOLS)

	STANDARD F.H. (STEEL PIPE - 12" & LARGER) 6" x ONE 2-1/2" x ONE 4" OUTLET	B-356 B-387 CITY OF HEMET
	STANDARD F.H. (A.C.P. / D.I.P. / P.V.C. PIPE) 6" x ONE 2-1/2" x ONE 4" OUTLET	B-362 B-388 CITY OF HEMET B-645 CITY OF SAN JACINTO
	SUPER F.H. (STEEL PIPE - 12" & LARGER) 6" x TWO 2-1/2" x ONE 4" OUTLET	B-516 B-567 CITY OF HEMET B-651 CITY OF SAN JACINTO
	SUPER F.H. (A.C.P. / D.I.P. / P.V.C. PIPE) 6" x TWO 2-1/2" x ONE 4" OUTLET	B-517 B-566 CITY OF HEMET B-650 CITY OF SAN JACINTO
	B.O. (STEEL PIPE 12" AND LARGER) B-351	
	B.O. (A.C.P. / D.I.P. / P.V.C. PIPE) B-357	
	COMBINATION A.V. & A.R.	
	POTABLE SAMPLING STATION (PSS) B-935	
	SERVICE CONNECTION WITHOUT METER	
	SERVICE CONNECTION WITH METER	
	REDUCED PRESSURE BACKFLOW DEVICE B-597	
	DOUBLE CHECK DETECTOR ASSEMBLY B-657	
	RESILIENT SEAT GATE VALVE FxF	
	RESILIENT SEAT GATE VALVE HxH	
	CLOSED VALVE	
	FxF ADAPTER	
	FxF ECCENTRIC REDUCER	
	PRESSURE REGULATOR	
	EXISTING OR PROPOSED WATERLINE (BY OTHERS)	
	WATERLINE	

WET TAPS



TEMP. END OF WATERLINE



NOTE: NO FxF ADAPTER REQUIRED IF NEW LINE IS STEEL